

$$\beta = (2\pi/\lambda) \times \text{Modal Index}$$

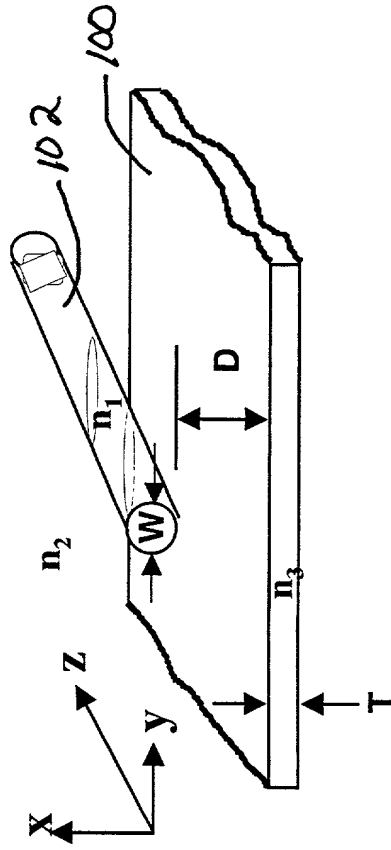
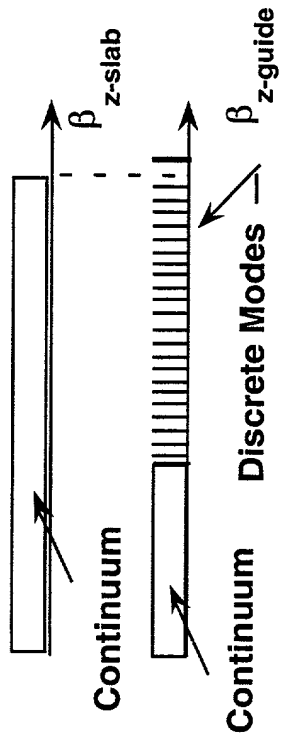


Fig. 1

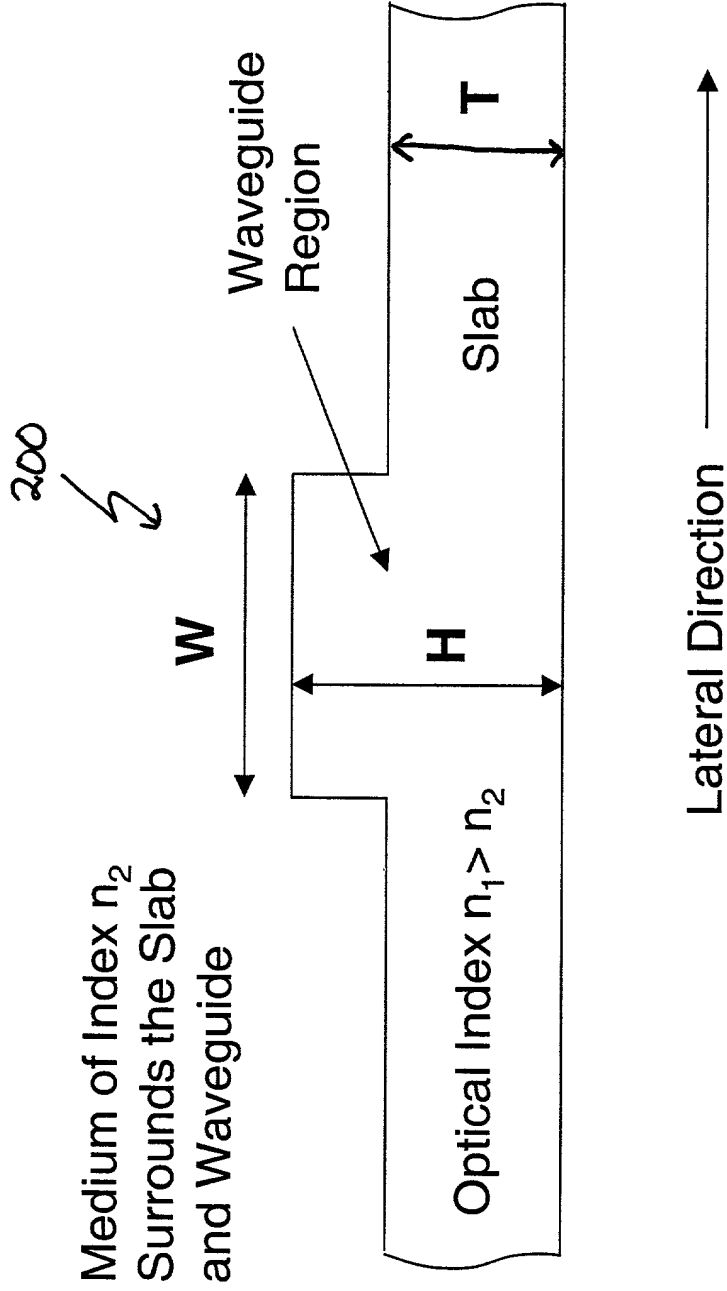


Fig. 2

300

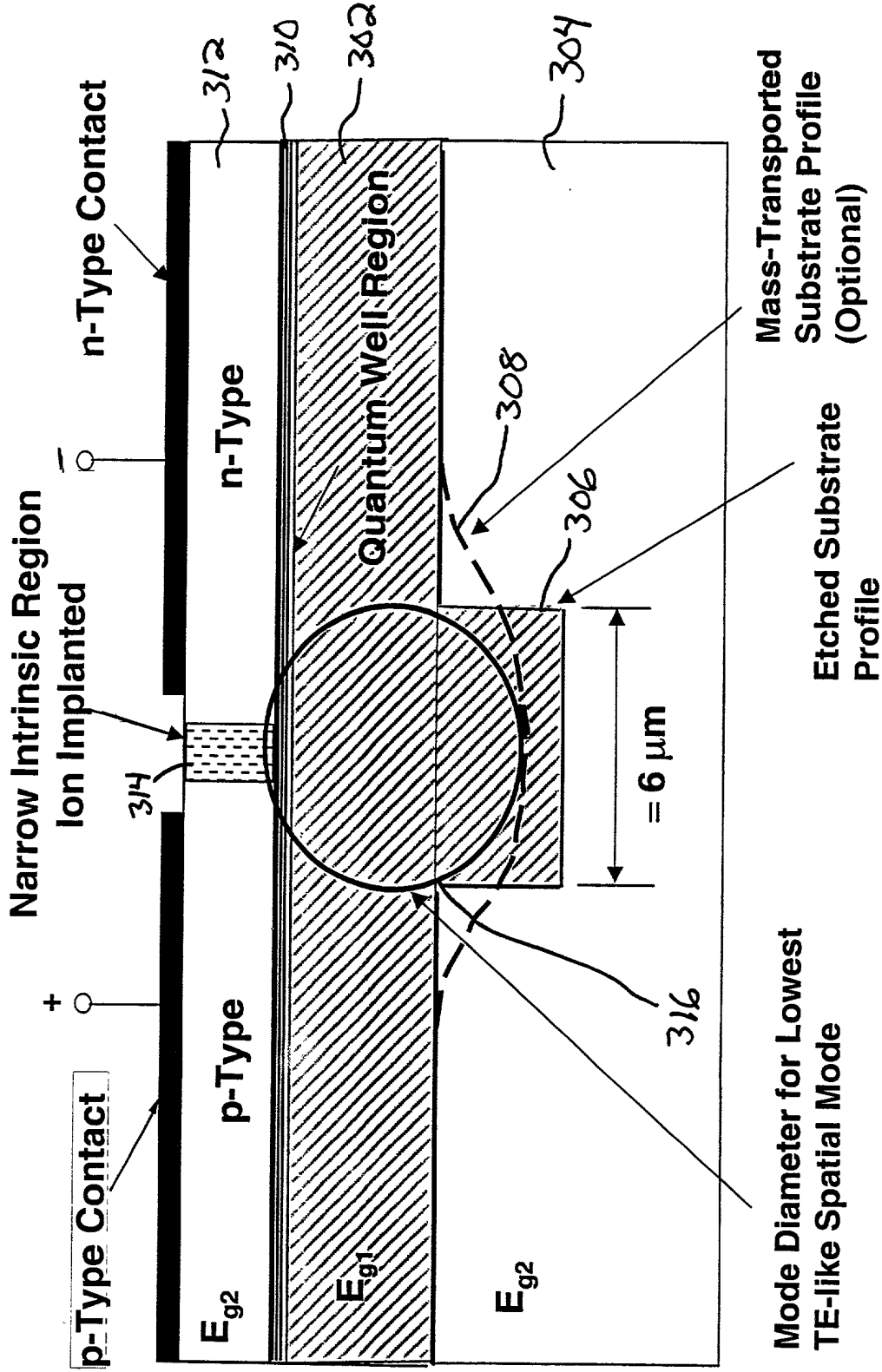


Fig. 3

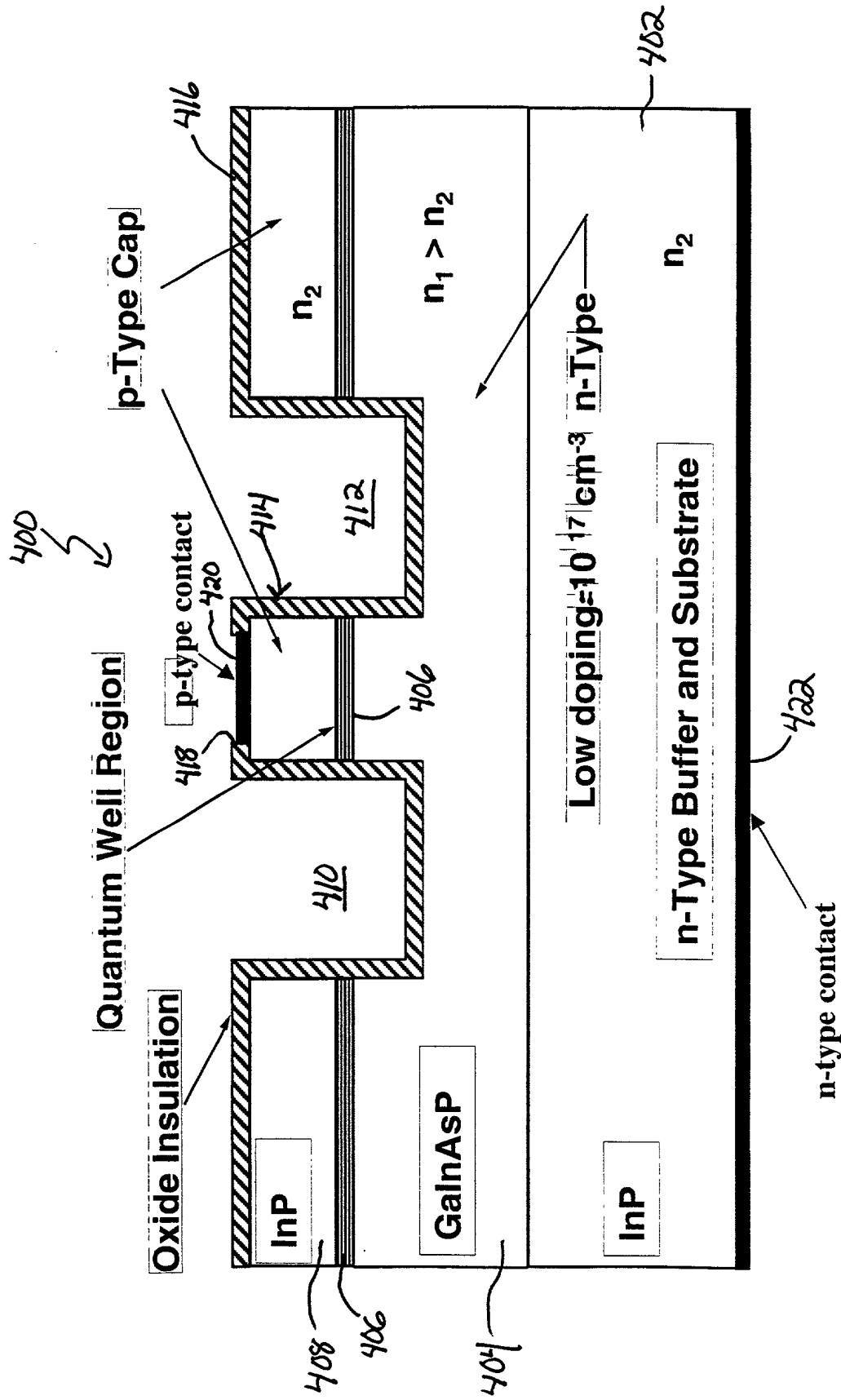


Fig. 4

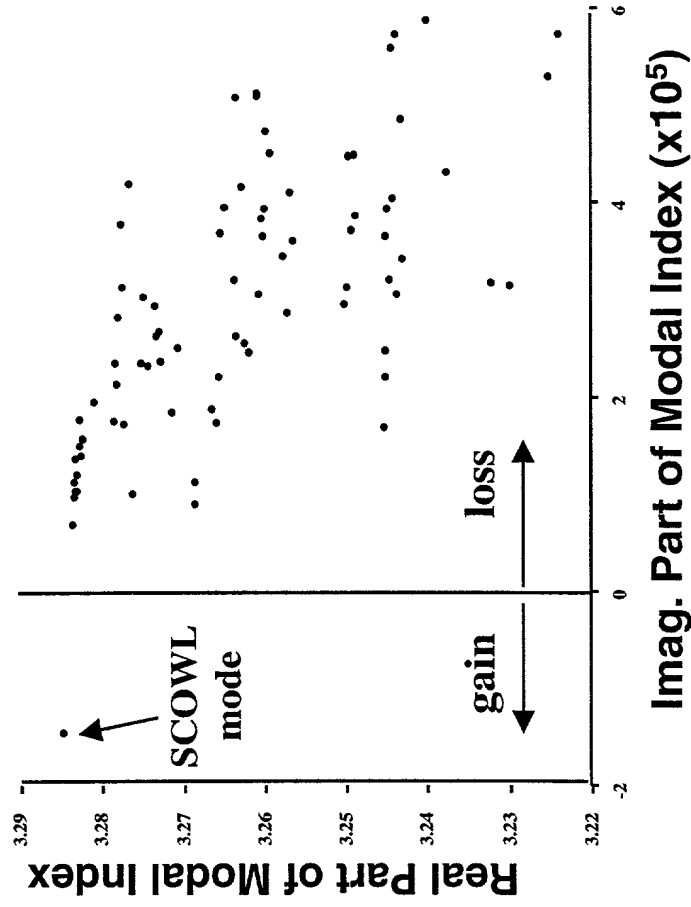
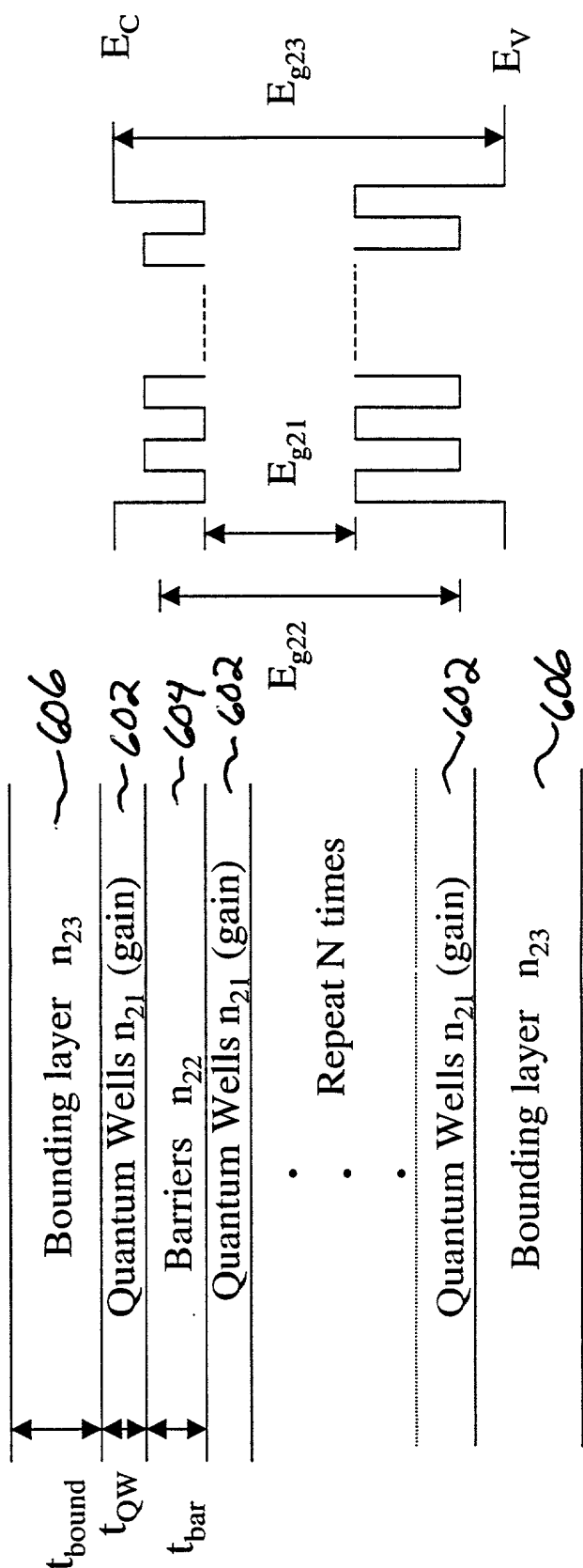


Fig. 5

600
↙



$$n_{21} > n_{22} \geq n_{23} \geq n_1 > n_2$$

$$E_{g21} < E_{g22} \leq E_{g23} \leq E_{g1}$$

MQW Region Band Diagram

Fig. 6

4420 666666

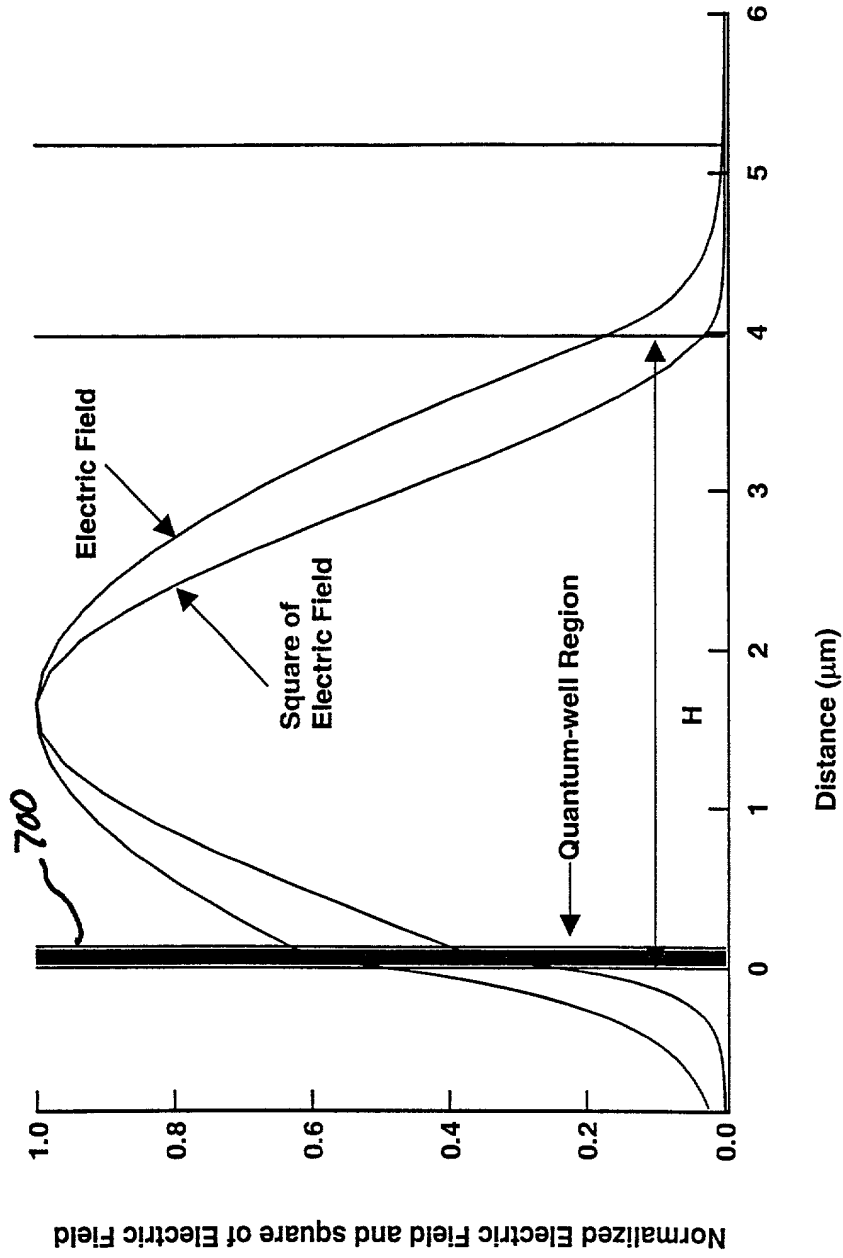


Fig. 7

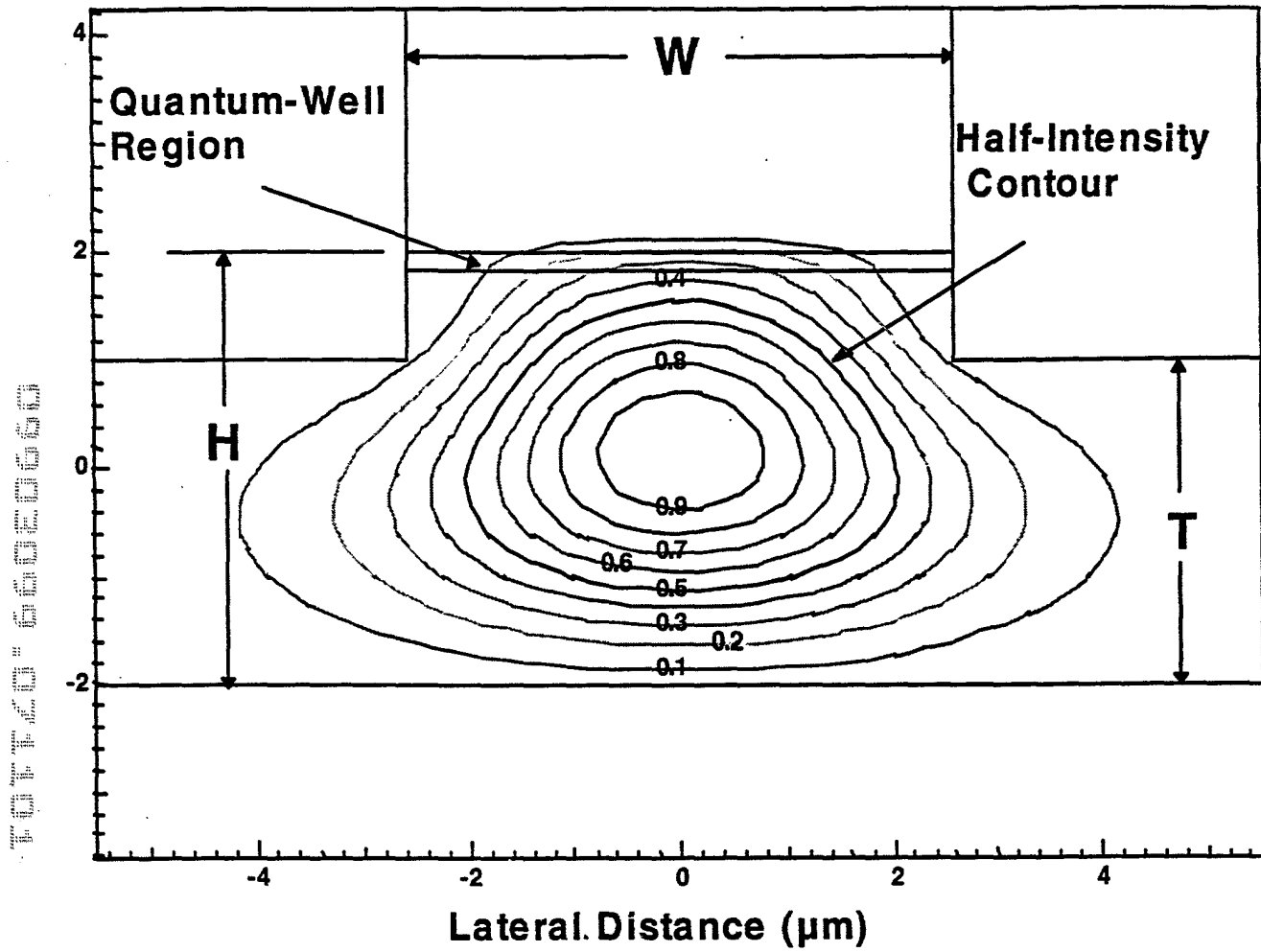


Fig. 8

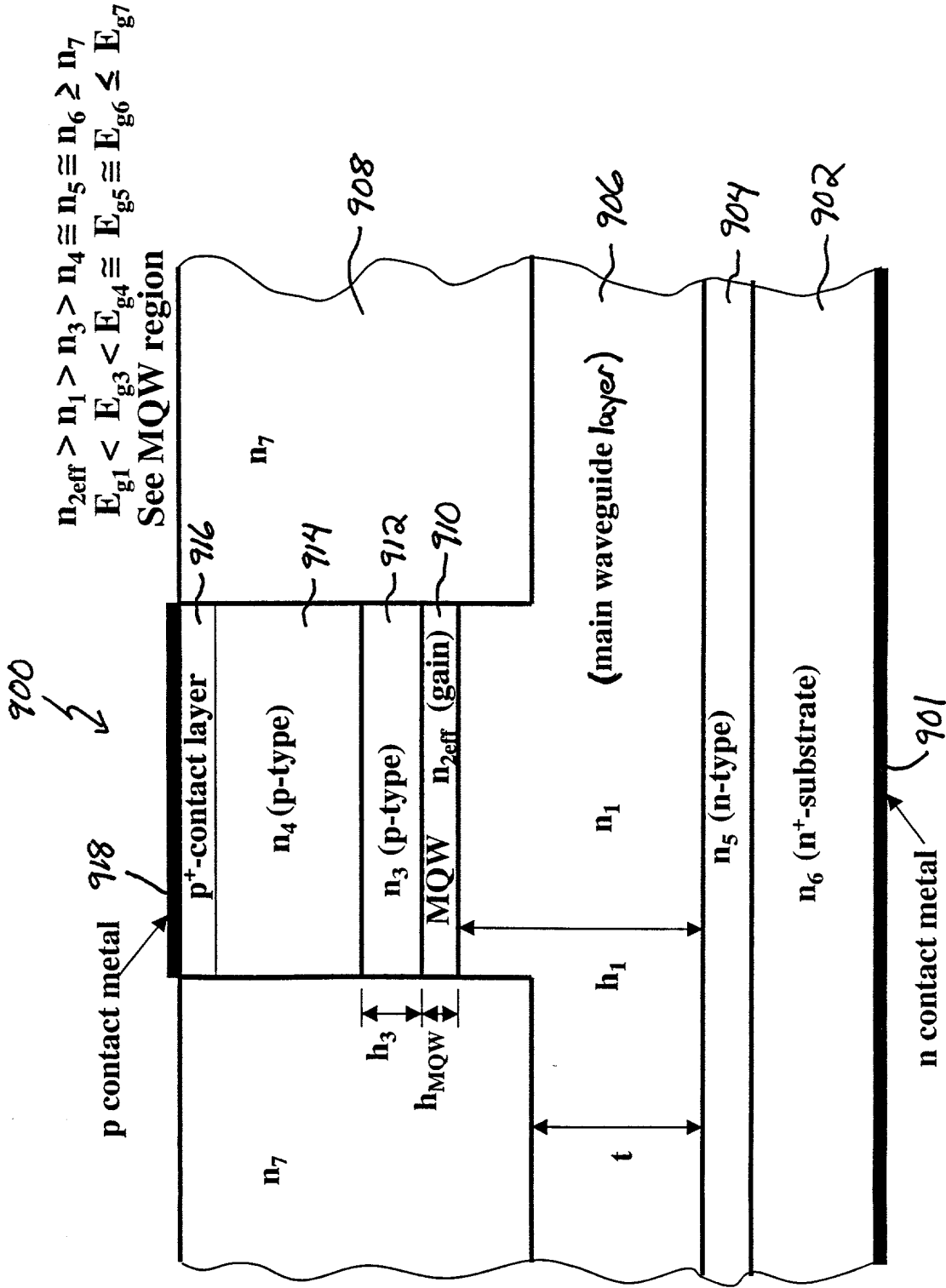


Fig. 9

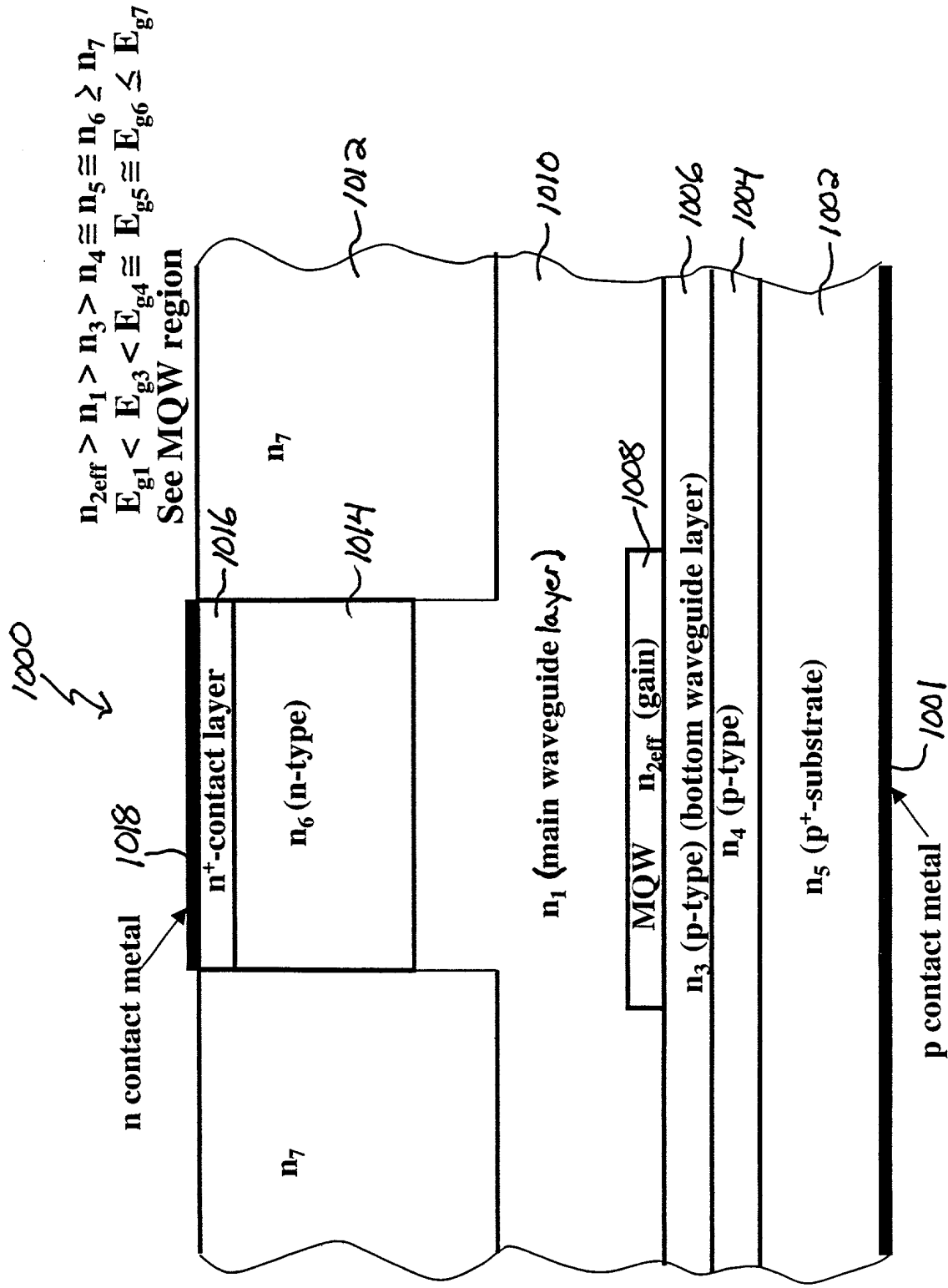


Fig. 10

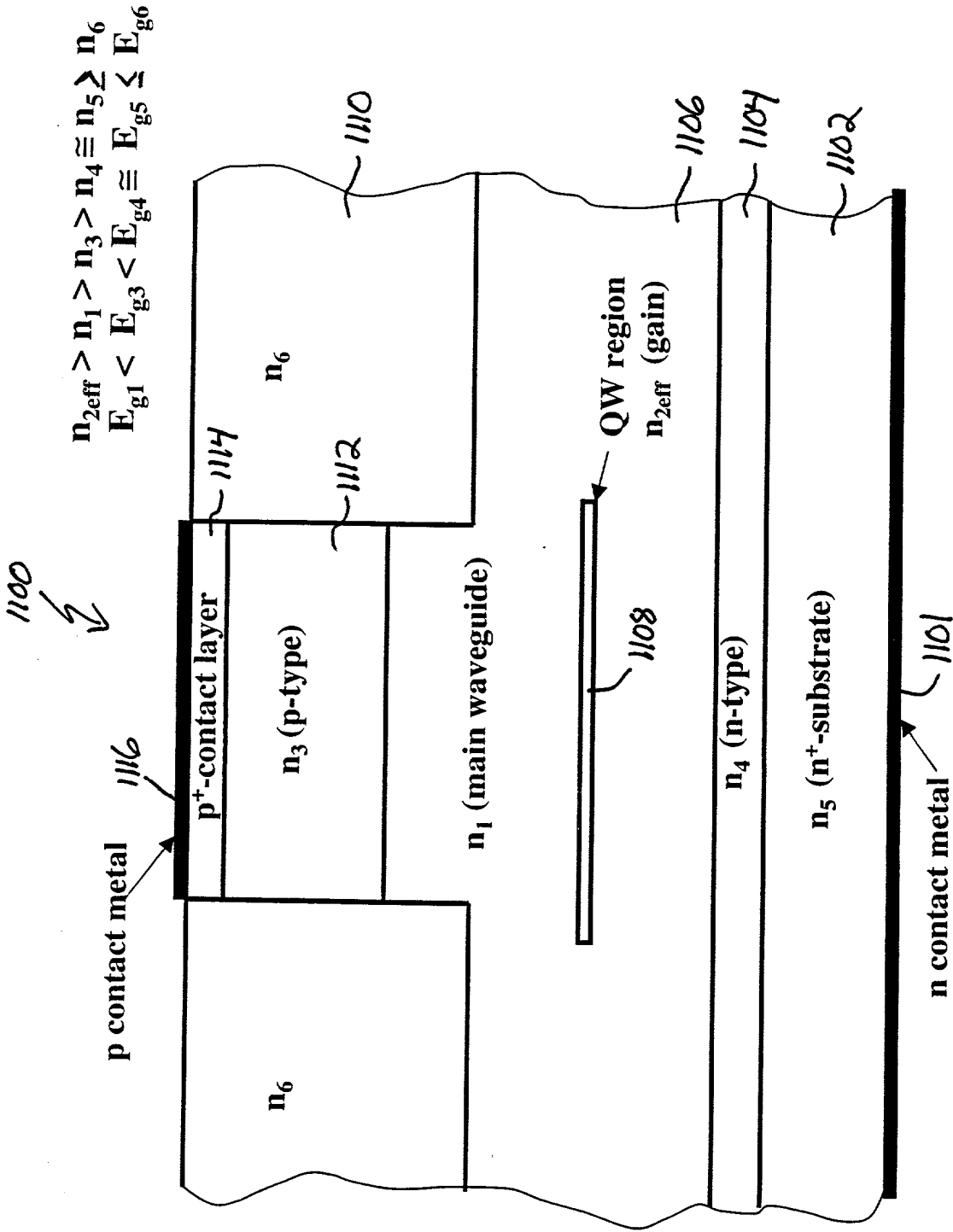


Fig. 11

**Near-Field
Mirror Illumination Pattern**

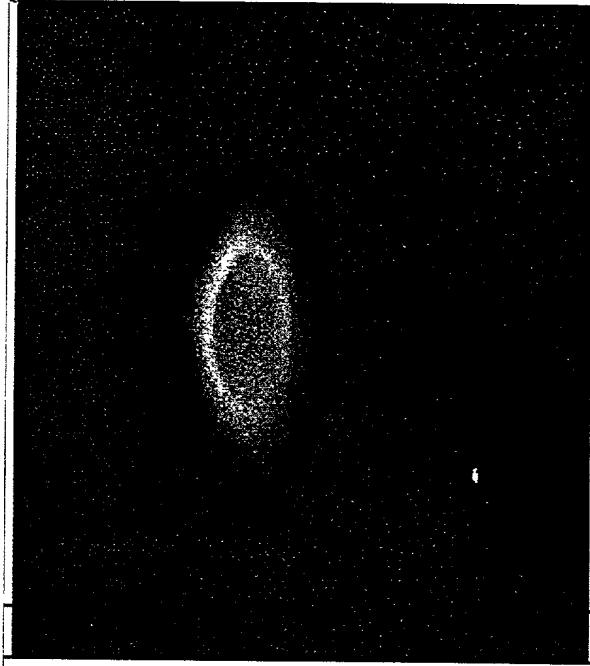


Fig. 12A

Far-Field Pattern

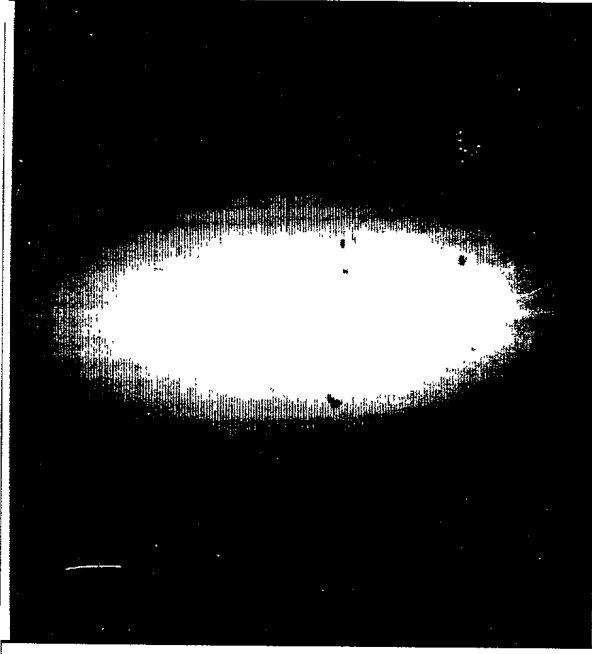


Fig. 12B

Near-Field Pattern

Far-Field Pattern

Half-Intensity Contours

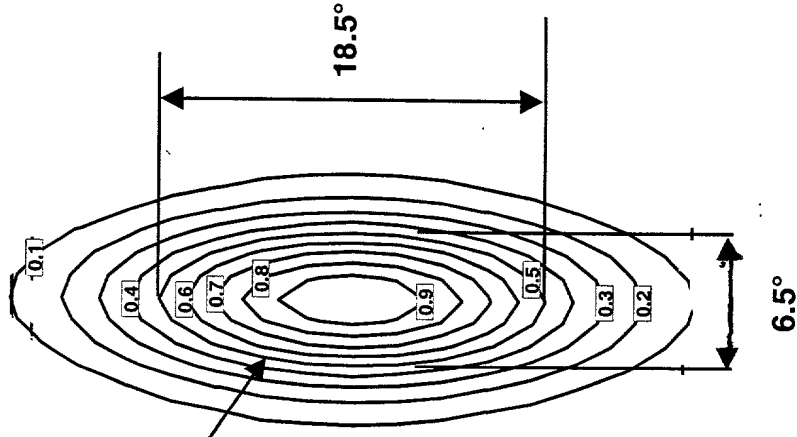
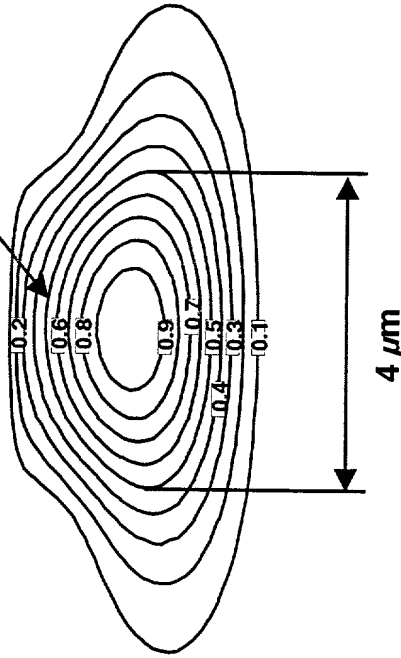


Fig. 13A

Fig. 13B

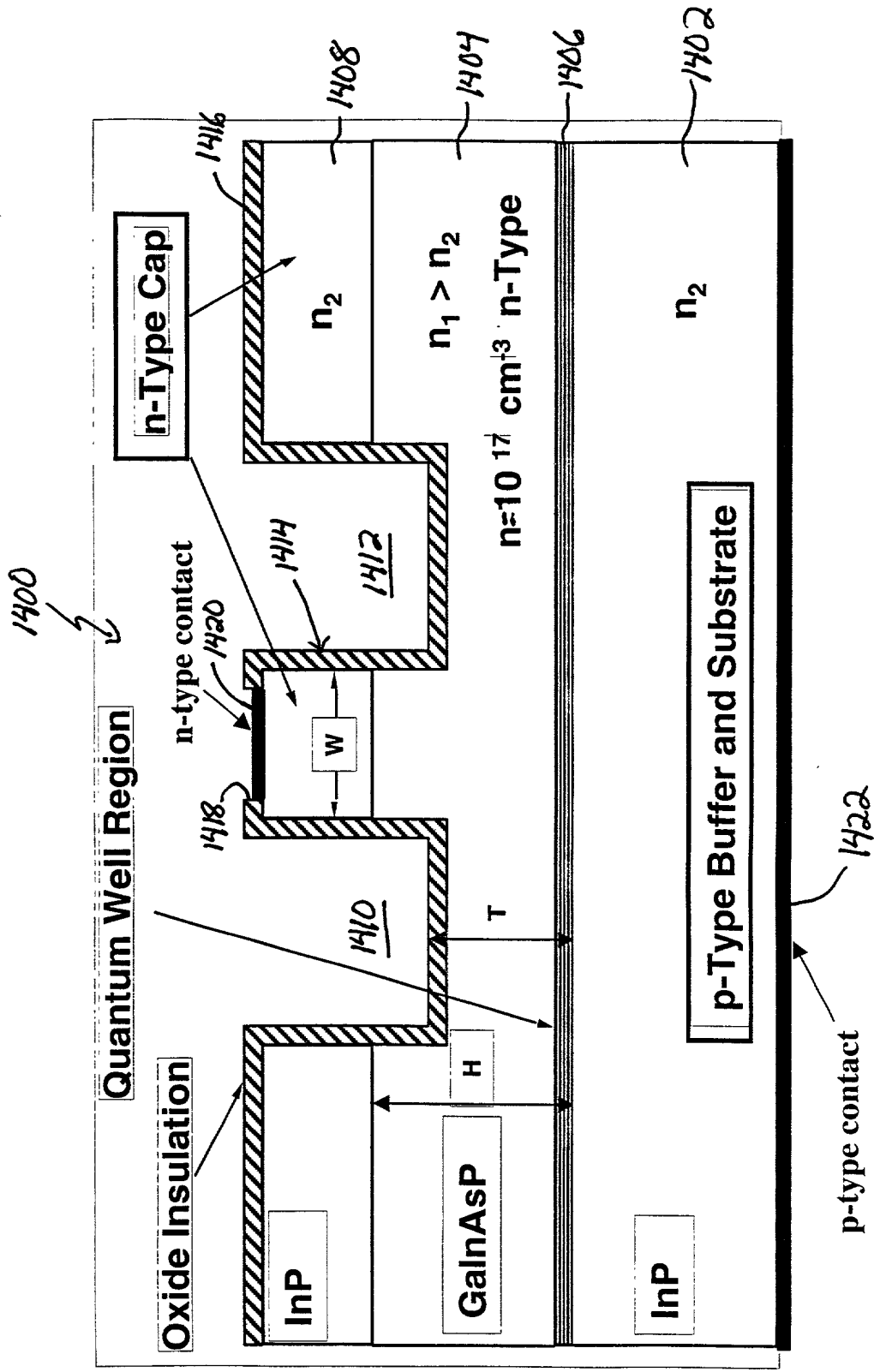


Fig. 14

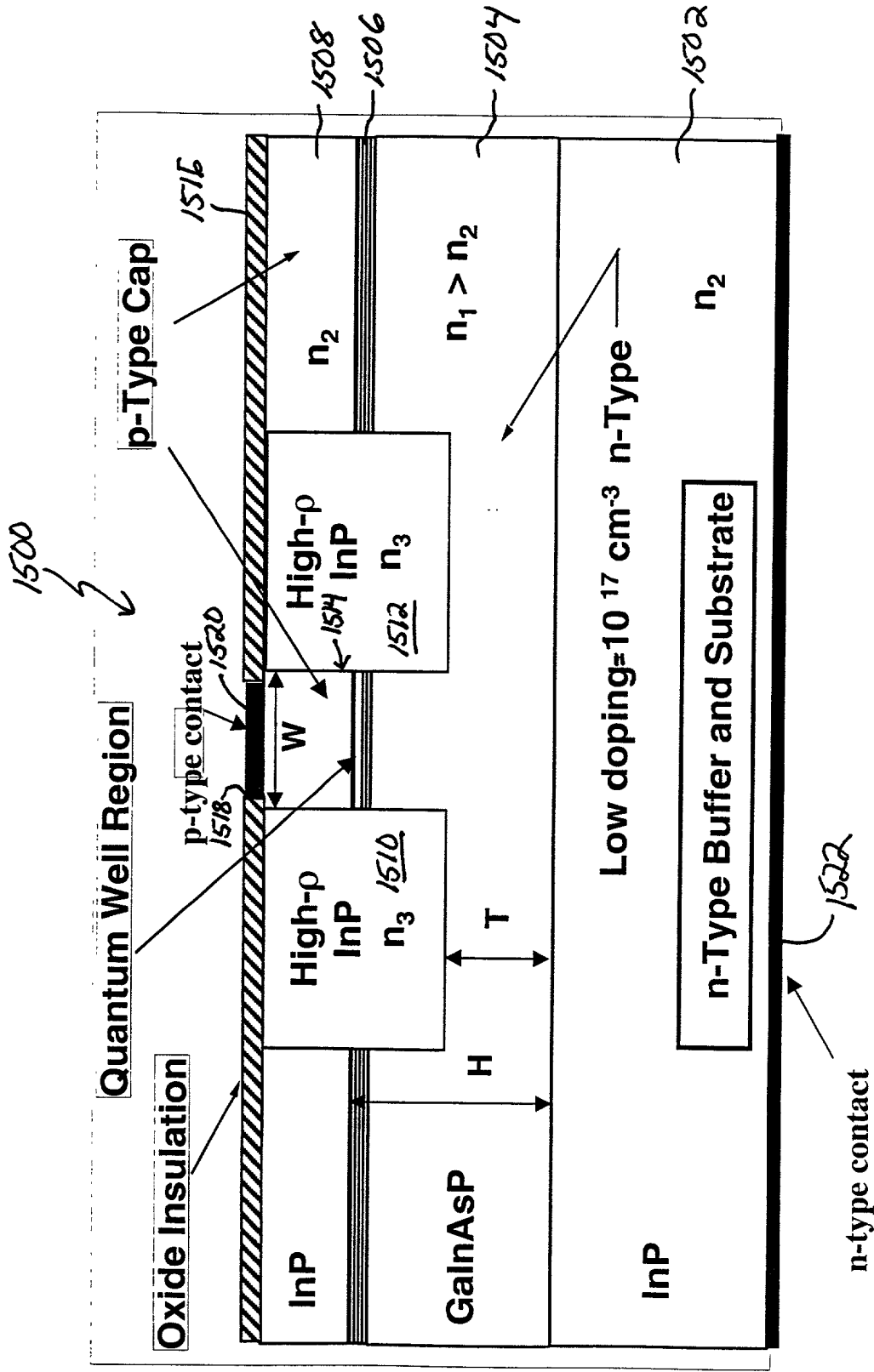


Fig. 15

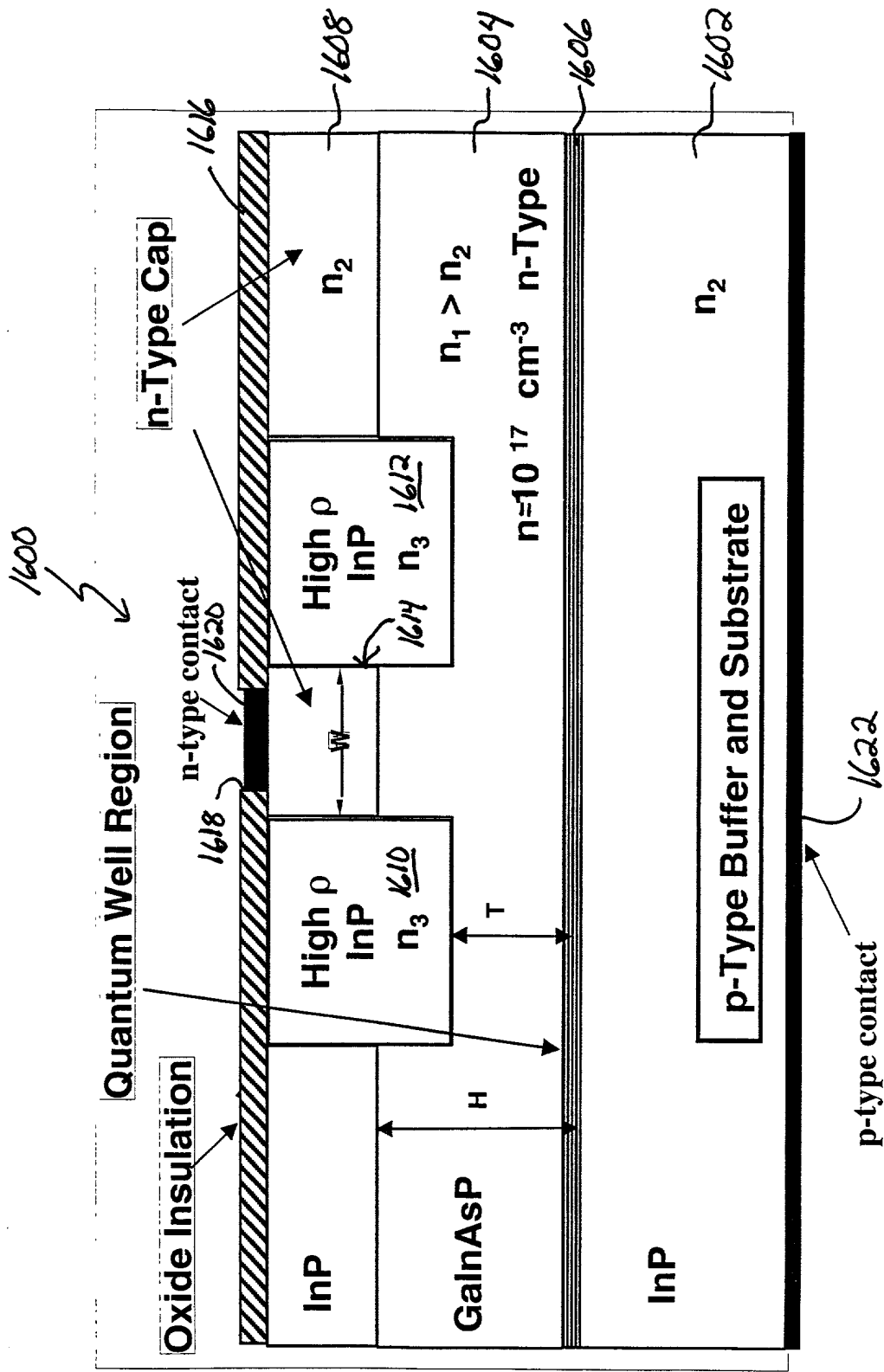


Fig. 16

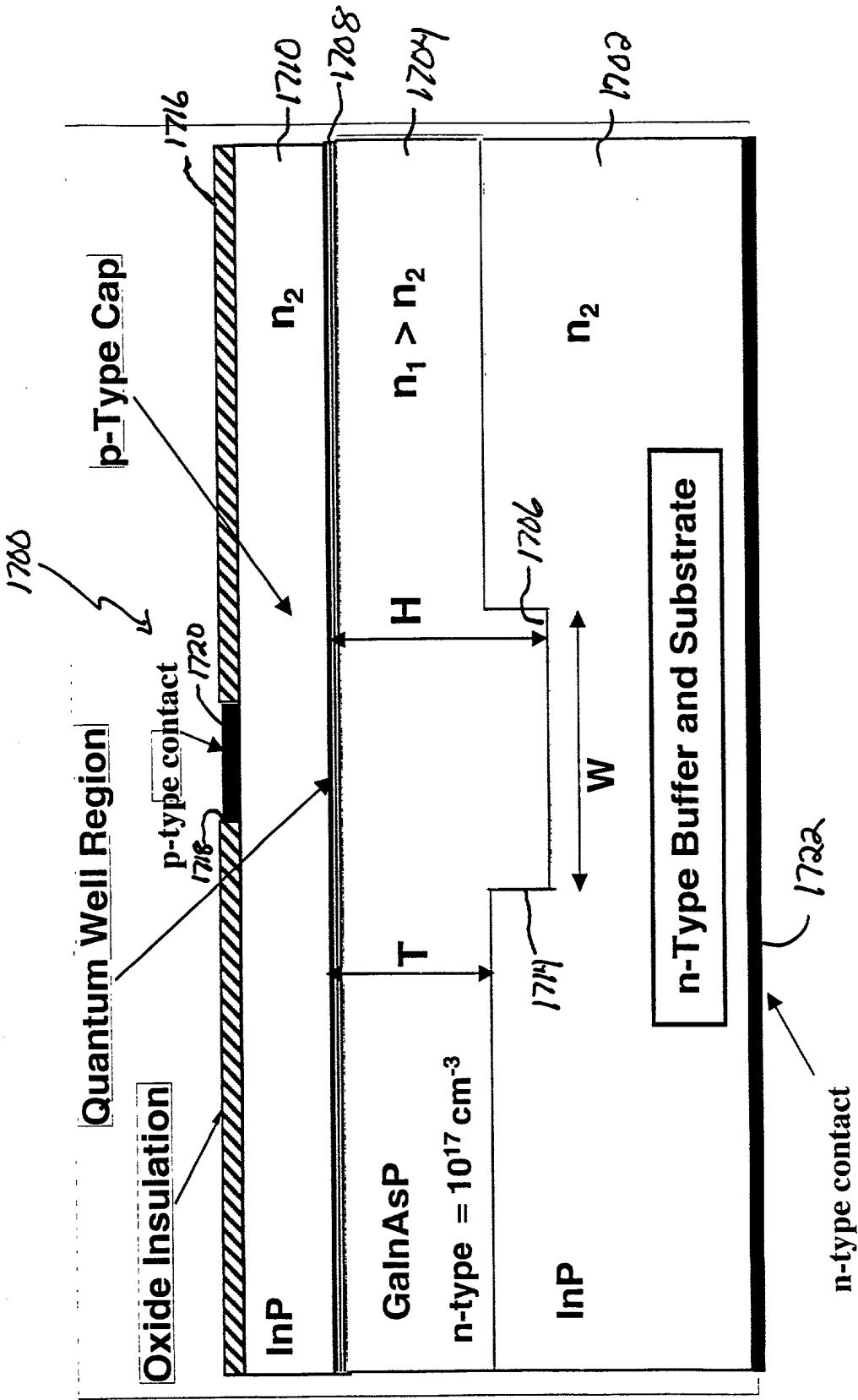


Fig. 17

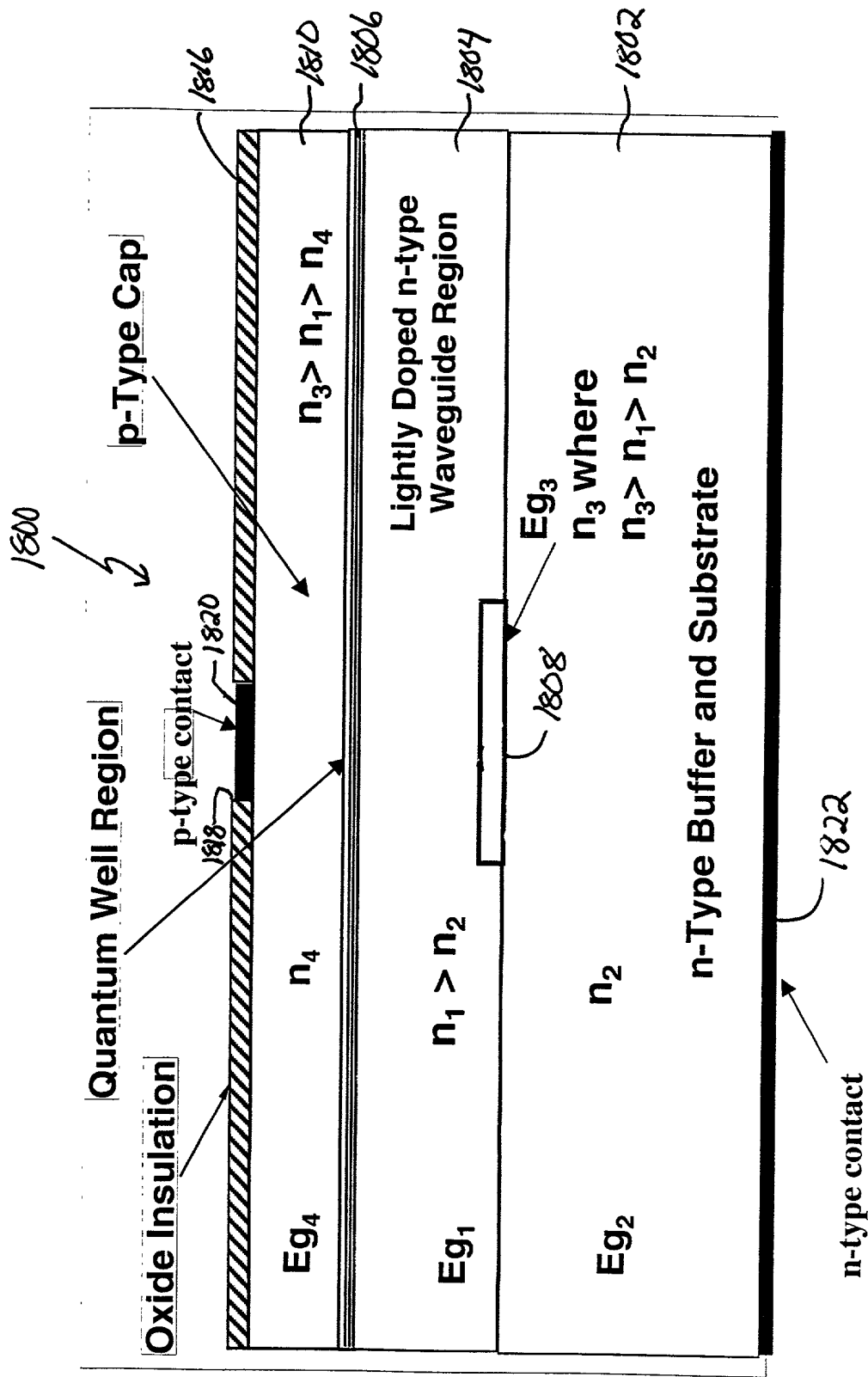


Fig. 18

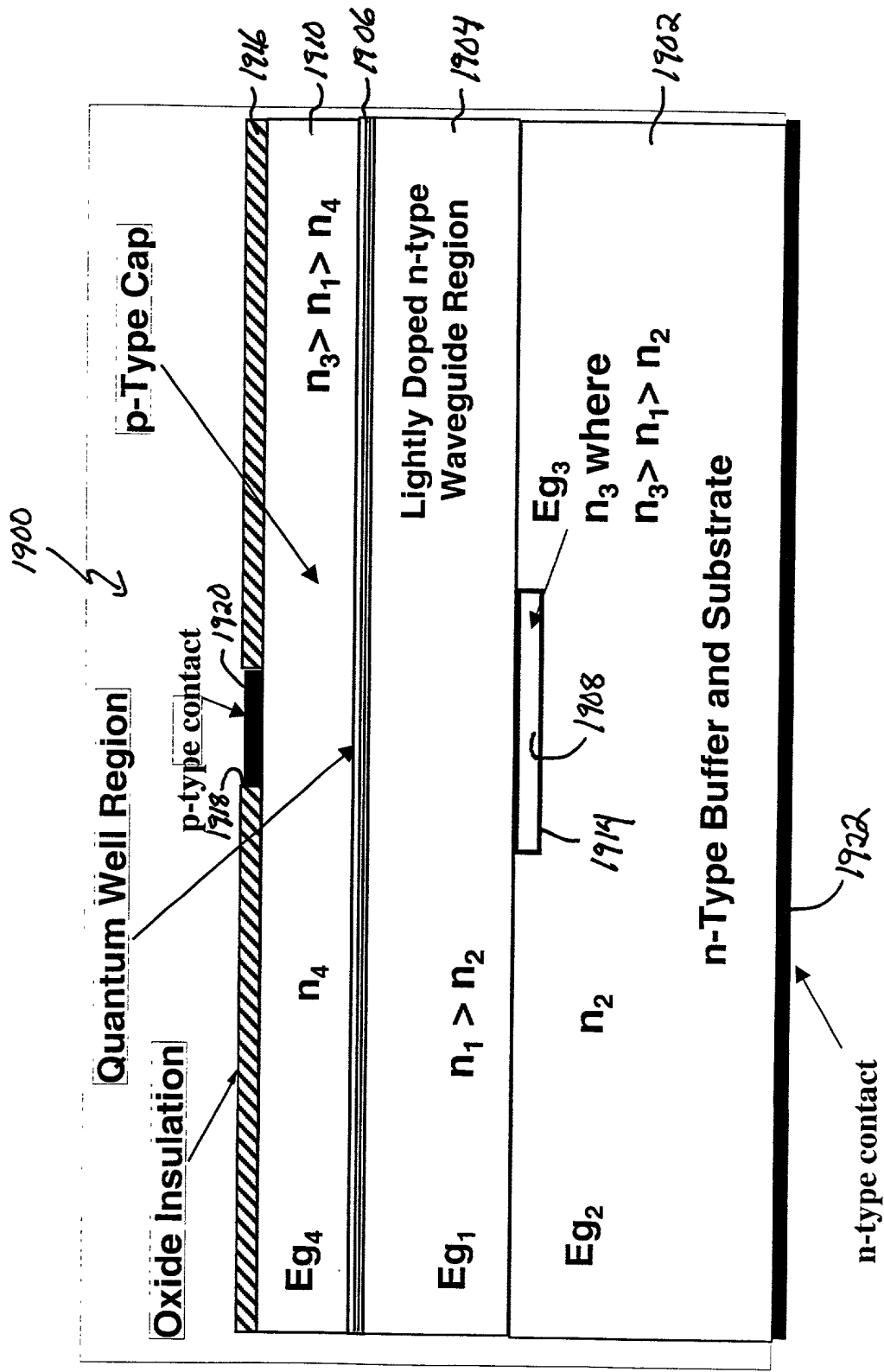


Fig. 19

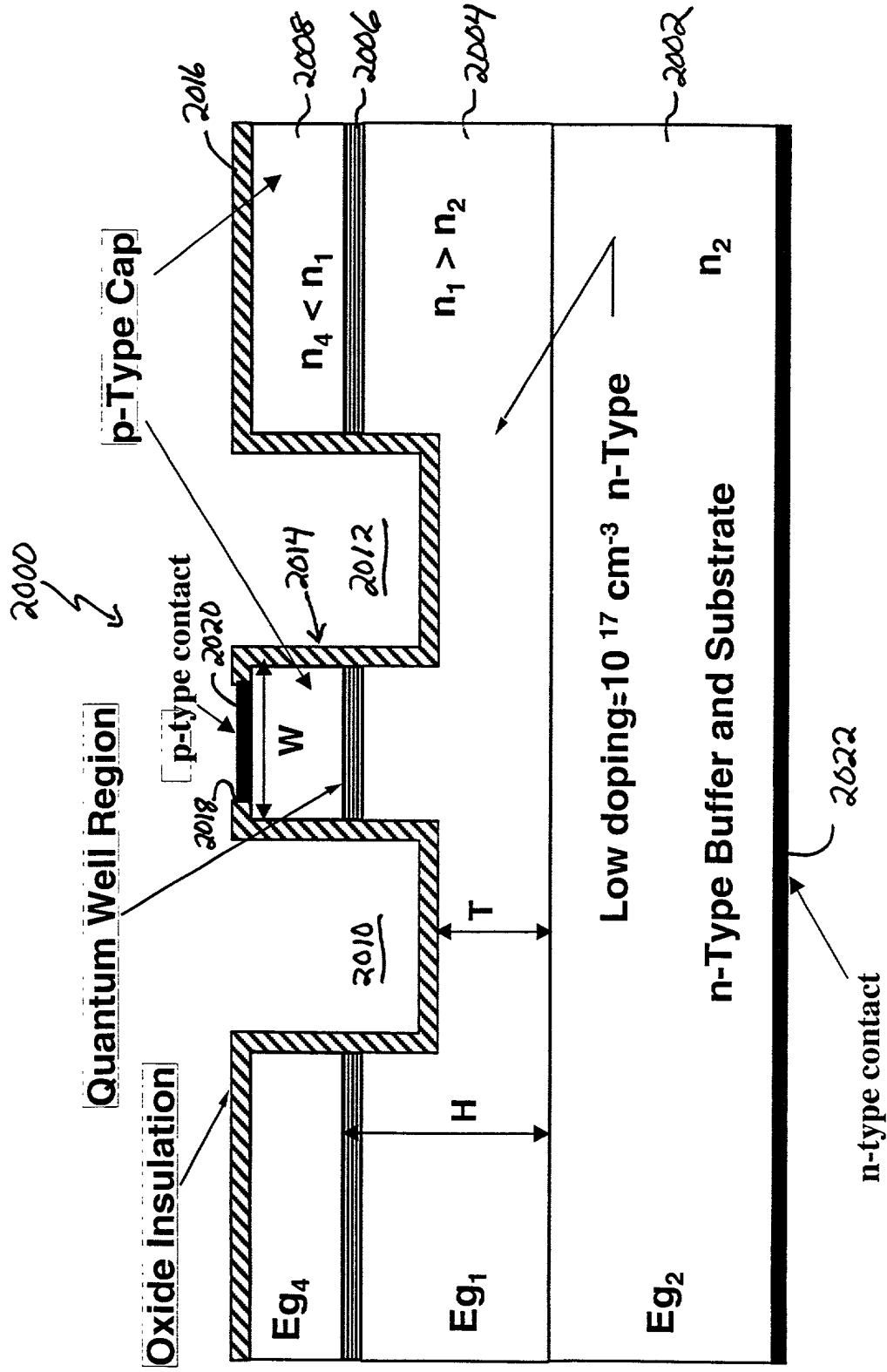


Fig. 20

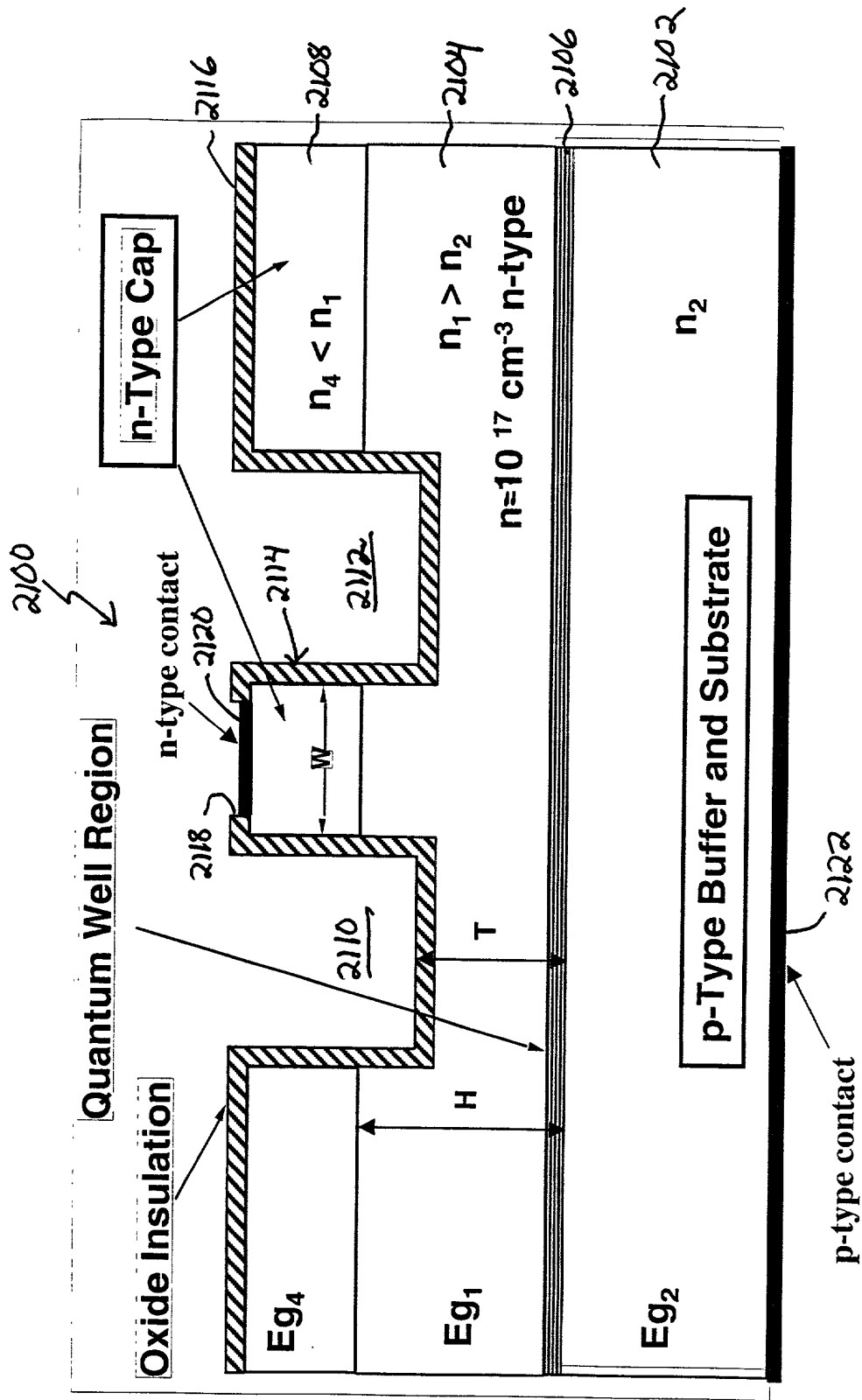


Fig. 21

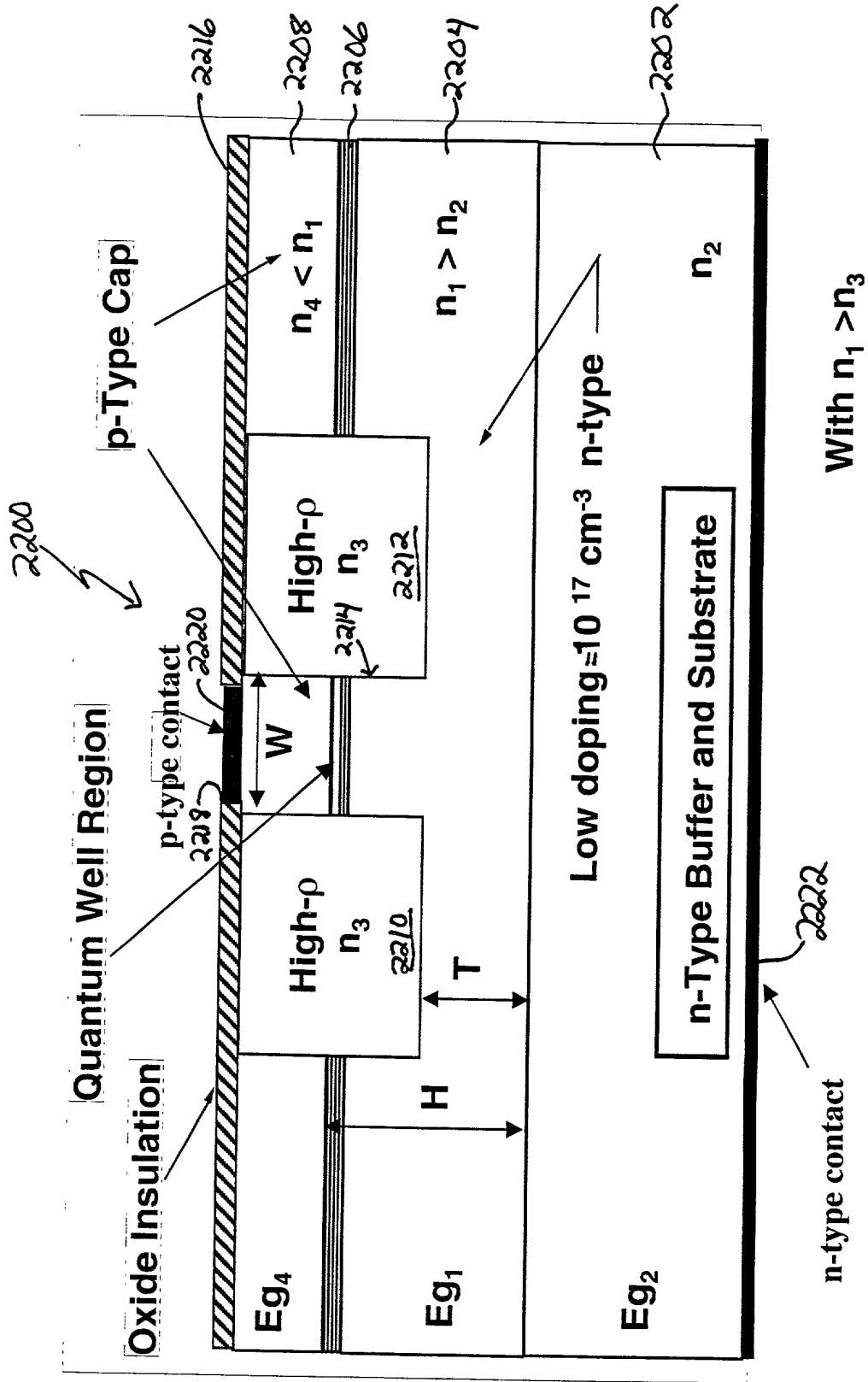


Fig. 22

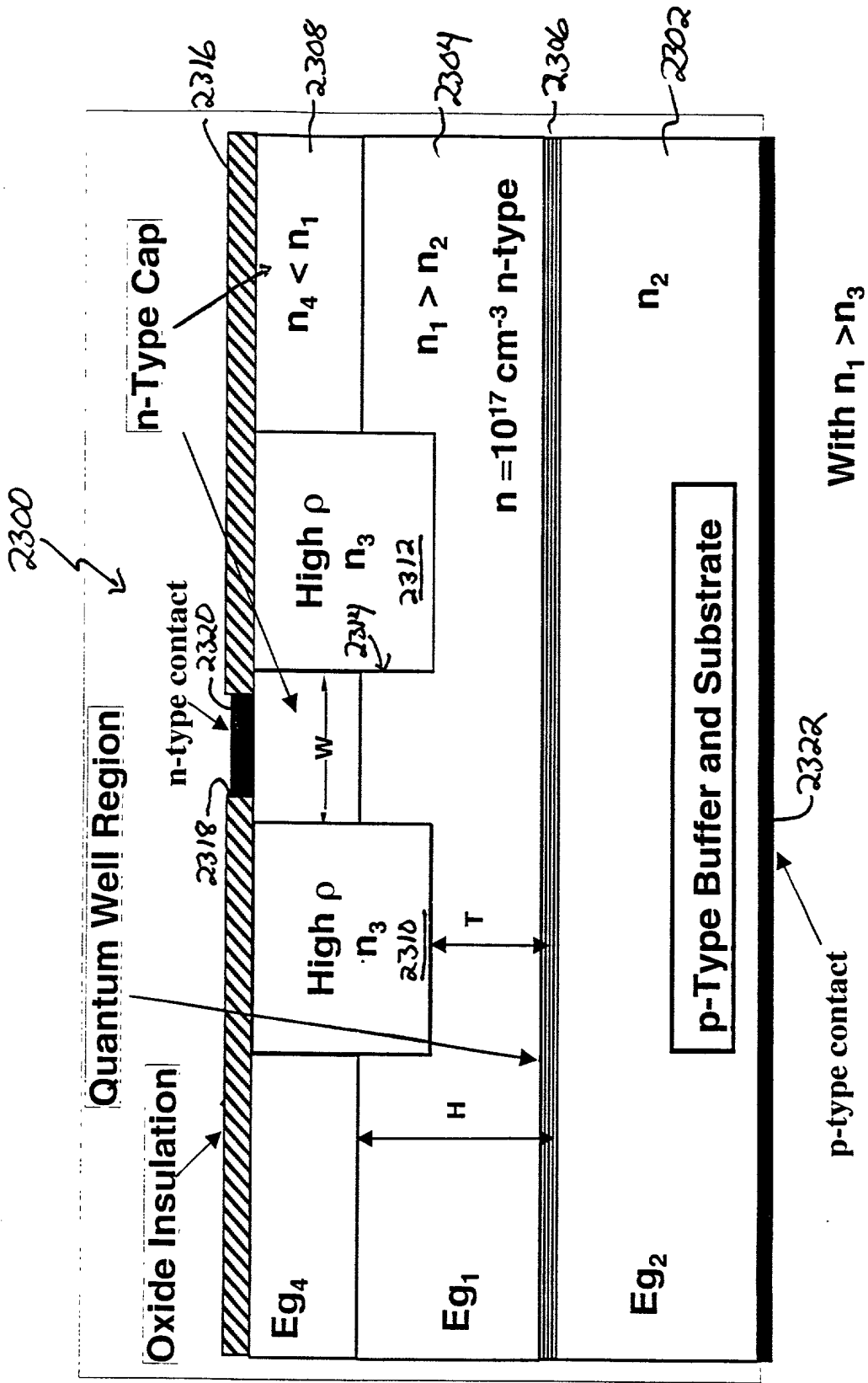


Fig. 23

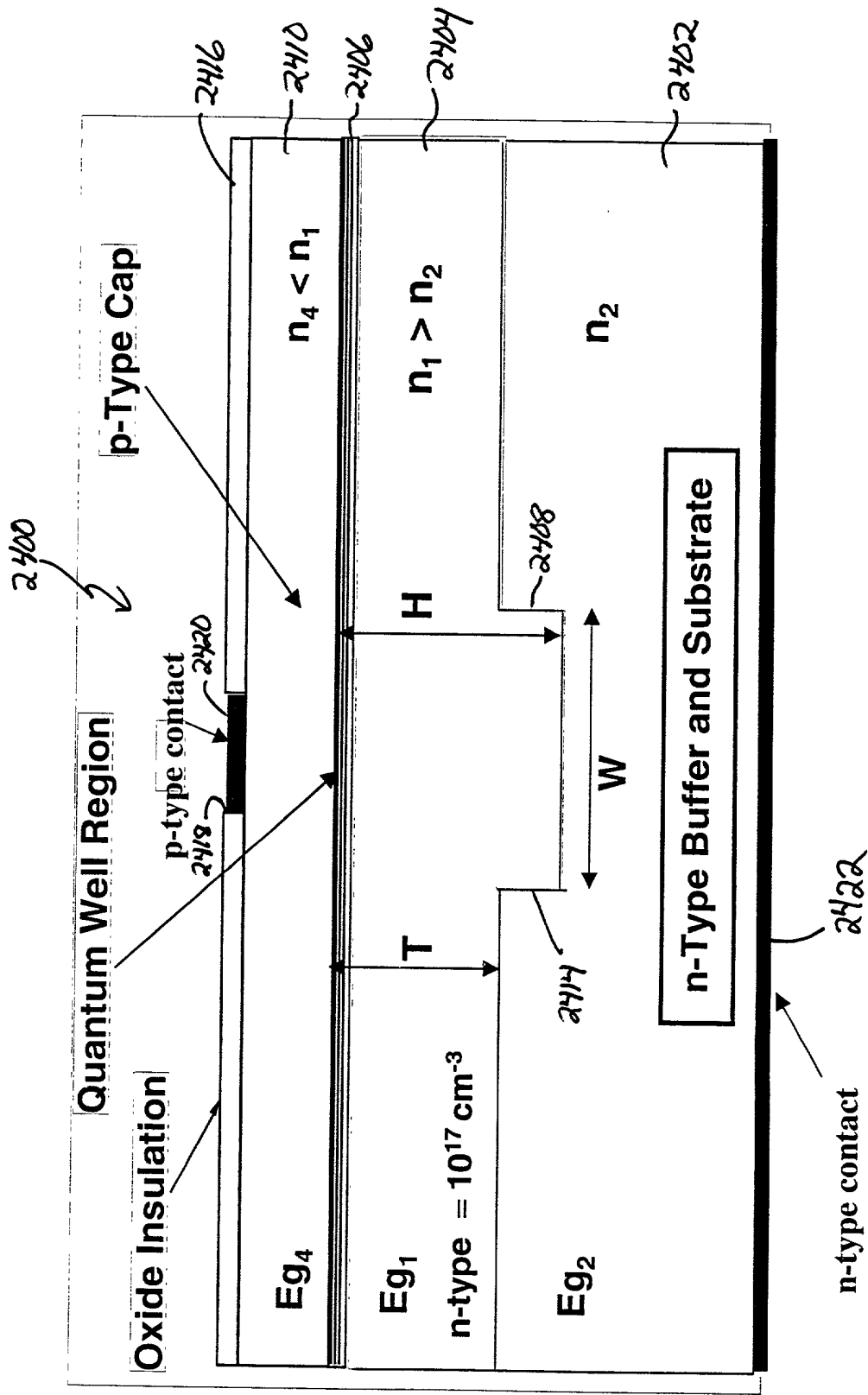


Fig. 24

2500 ↗

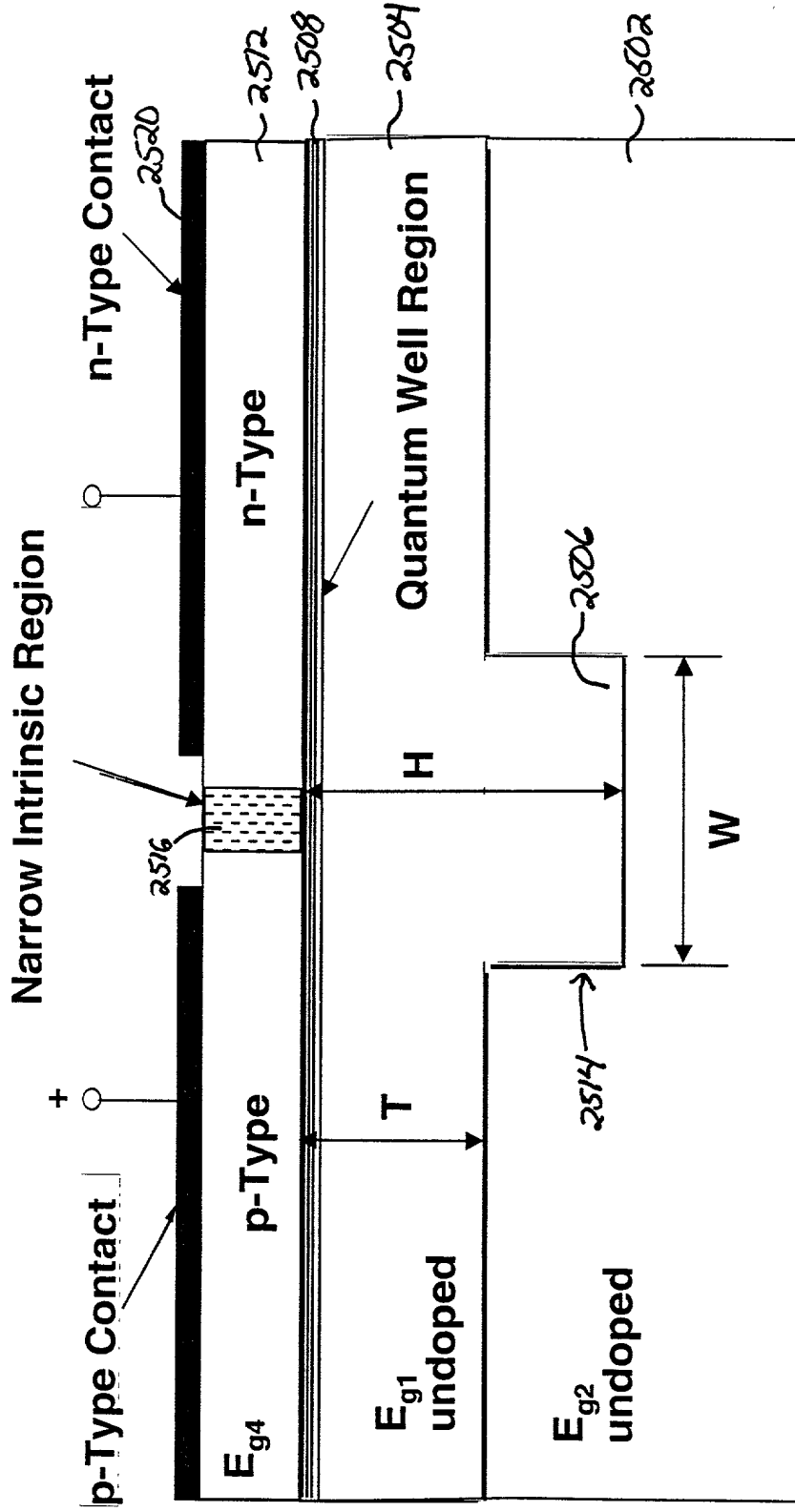


Fig. 25